



SWU360-12FR

12V 358Wpc UPS BATTERY with *HT Element X Alloy™*

TECHNICAL DATA SHEET



LONG LIFE DESIGN

- + *HT Element X Alloy™* extends life in high temp applications
- + Primary lead for long life
- + Low calcium alloy for long life
- + Additives to maintain compression
- + Designed to control charging current as temperature increases
- + No thermal runaway
- + Epoxy sealed terminals to prevent post leaks
- + Rugged ABS cases to minimize handling damage
- + AGM Technology enables Spill Proof Operation
- + High gas recombination efficiency

10 YEAR DESIGN LIFE

- + Standby application

CAPACITY RANGE

- + 358Wpc (15 min. rate)

COMPLIANCE

- + UL 1989
- + ISO 9001:2000 factory manufactured
- + UL 94V-0

SPECIFICATIONS

MODEL	NOMINAL VOLTAGE (V)	Watts per batt @ 25°C FV1.67 15min	* OPERATING TEMP RANGE	L		W		H		TH		WEIGHT		TERMINAL
				mm	in.	mm	in.	mm	in.	mm	in.	kg	lbs.	
SWU360-12FR	12	2147	-40 to 65°C (-40 to 149°F)	305	12.01	173	6.81	224	8.80	224	8.80	31.0	68.34	M6

*Refer to Product Manual for optimum temperature range

DISCHARGE WATTS PER CELL@25°C

FV	DISCHARGE TIME (Min.)					
	5	10	15	20	30	60
1.8	492	396	326	275	205	122
1.75	558	432	341	283	210	124
1.7	605	457	353	290	215	125
1.67	615	477	358	292	217	126
1.6	644	497	371	299	222	127



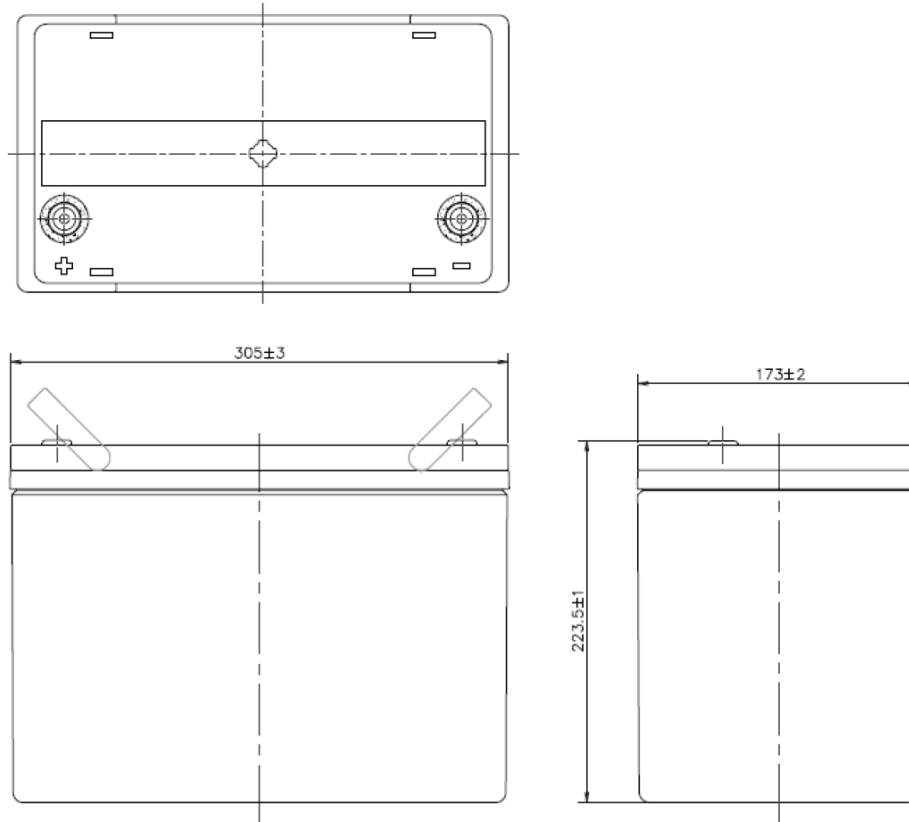
POWERING THE NEXT GENERATION



SWU360-12FR

12V 358Wpc UPS BATTERY TECHNICAL DATA SHEET

units: mm



- **Recommended Float Charge Voltage: 13.65V +/- 0.15V**
- **Recommended Temperature Compensation: 3mv/°C/cell**
- **Internal Resistance: Approximately 3.5 mΩ measured with 1kHz AC bridge**
- **Terminal Torque: 45 in.lbs.**
- **Maximum Continuous Discharge Current: 270A**
- **Maximum 5 Second Discharge Current: 540A**

ABOUT GS YUASA ENERGY SOLUTIONS, INC.

GS Yuasa Energy Solutions, Inc. is an American subsidiary of GS Yuasa Corporation, the world's second largest battery company and a 100+ year old Japanese corporation. GS Yuasa Energy Solutions (GYES) was formed in 2019 to address the growing energy storage and reserve power markets. GYES brings together and leverages GS Yuasa Group's advanced technologies with proven American market successes in lithium, telecom, UPS, alarm & security, and energy storage into a single business unit.

