

# Eaton 5P Rackmount UPS

Enterprise class battery backup for network closets and small data centers.

**Flexibility:** The Eaton 5P is available in space saving 1U and 2U rackmount configurations.

**Efficiency:** The 5P provides industry leading efficiency of up to 99 percent.

## Manageability:

- **UPS management:** By integrating Eaton's free Intelligent Power® Software Suite, you can monitor and manage the power devices on your network.
- **Energy metering:** The 5P meters energy consumption at the UPS level.

**LCD display:** Eaton's next-generation LCD offers a graphical interface which provides all critical UPS information in a single screen view.

**More power:** The 5P protects more devices by providing 20 percent more wattage compared to traditional UPSs.

**Battery life:** Eaton's exclusive ABM® technology increases battery service life by 50 percent.

**ENERGY STAR®:** 5P 2U rackmount models are ENERGY STAR® qualified. ENERGY STAR helps consumers save money and protect the environment through energy efficient products and practices.



## Intelligent Power Software Suite

By integrating software with the Eaton 5P, you can:

- Seamlessly integrate with VMware's vCenter Server™ virtualization management solution, as well as virtualization platforms such as Citrix® XenServer, Microsoft SCVMM™, Red Hat® and other Xen® open source platforms
- Initiate live migration of virtual machines (VM) to automatically and transparently migrate VMs during power disruptions to unaffected devices with systems such as VMware vMotion™ and Microsoft Live Migration
- Execute graceful shutdown of computers and virtual machines/servers during an extended power outage

To learn more, please visit: [Eaton.com/intelligentpower](http://Eaton.com/intelligentpower)

## Services and support

Eaton provides product support 24 hours a day, 7 days a week. From battery replacement to full UPS service plans, Eaton has one of the top service models in the industry.

## Three-year warranty

The 5P warranty covers both the UPS and the batteries for three years. No other manufacturer in the industry offers as comprehensive a warranty.



## 5P RACKMOUNT MODEL SELECTION GUIDE\*

Catalog number	Rating (VA/watts)	Input connection	Output receptacles	Dimensions (H x W x D), in	Net weight, lb
<b>2U Rackmount, 120V, 50/60 Hz models**</b>					
5P1500RT	1440/1440	5-15P	(8) 5-15R	3.4 (2U) x 17.4 x 20.6	65.0
5P2200RT	1950/1920	5-20P	(4) 5-15R, (4) 5-20R	3.4 (2U) x 17.4 x 20.6	65.0
5P3000RT	3000/2700	L5-30P	(3) 5-15R, (3) 5-20R, (1) L5-30R	3.4 (2U) x 17.4 x 25.4	87.0
<b>1U Rackmount, 120V, 50/60 Hz models</b>					
5P550R	550/420	5-15P	(5) 5-15R	1.7 (1U) x 17.2 x 14.3	17.8
5P750R	750/600	5-15P	(5) 5-15R	1.7 (1U) x 17.2 x 20.0	30.6
5P1000R	1000/770	5-15P	(5) 5-15R	1.7 (1U) x 17.2 x 20.0	32.5
5P1500R	1440/1100	5-15P	(5) 5-15R	1.7 (1U) x 17.2 x 21.8	43.5
<b>1U Global Rackmount, 208/230V, 50/60 Hz models</b>					
5P850GR	850/600	C14	(4) C13	1.7 (1U) x 17.2 x 20.0	30.4
5P1550GR	1550/1100	C14	(6) C13	1.7 (1U) x 17.2 x 21.8	42.7

\*Due to continuous product improvement programs, all specifications are subject to change without notice. Please visit [Eaton.com/5Prm](http://Eaton.com/5Prm) to view complete and updated product specifications.

\*\*Catalog numbers that end in RT can be used in both rackmount or tower configurations.

### Options

Connectivity	Catalog number	For use with
Network Card-MS	NETWORK-MS	All models
Relay / Serial Interface Card	RELAY-MS	All models
Environmental Monitoring Probe	116750224-001	All models (requires Network Card-MS)

### Mounting hardware

Mounting hardware	Catalog number	For use with
1U two-post rail kit (optional)	RK2PA	All 1U models except 5P550R
2U two-post rail kit (optional)	103007018-5591	All 2U models

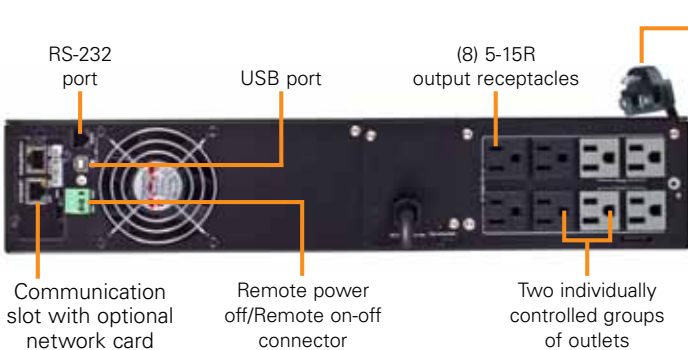
### Power distribution & bypass

HotSwap Maintenance Bypass (MBP)	Catalog number	For use with
The HotSwap Maintenance Bypass allows you to exchange or service the UPS without shutting down the connected load	EHBPL1500R-PDU1U	5P550R, 5P750R, 5P1000R, 5P1500R, 5P1500RT
	EHBPL2000R-PDU1U	5P2200RT
	EHBPL3000R-PDU1U	5P3000RT

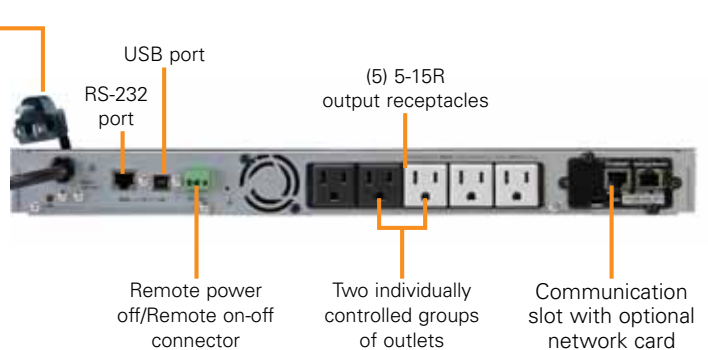
### What's in the box

- User manual CD
  - Intelligent Power Software Suite CD
  - Quick start guide
  - Four-post rail kit (5P550R ears only)
  - Extra wall mounting ear (5P1500R & 5P1550GR)
  - USB cable
  - RS-232 cable
  - Tower pedestals (2U models only)
  - Phillips head screw driver (2U models only)
- G models only**
- 2 IEC-to-IEC jumper cables
  - Output cable locking system
  - Input cable locking system

## 5P 2U rear panel



## 5P 1U rear panel



For more information, please contact:  
Power Pros, Inc. at 888-330-2538, or  
visit our website at [www.powerprosinc.com](http://www.powerprosinc.com)

