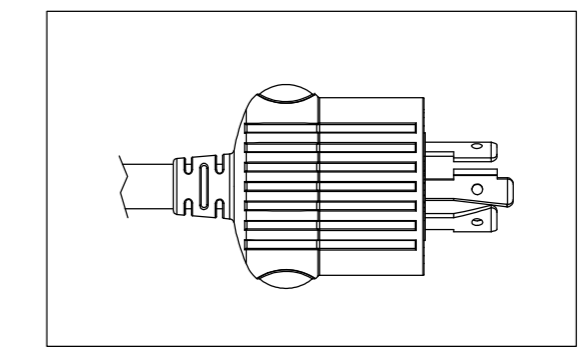
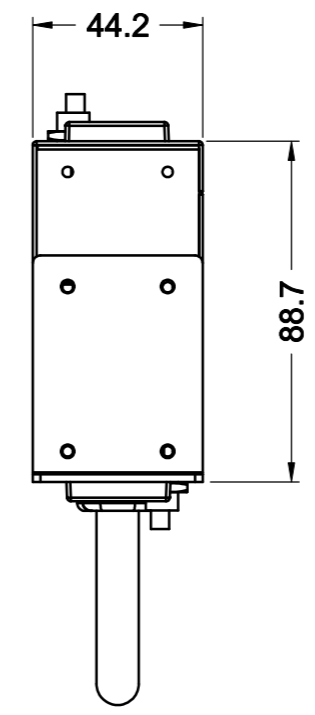
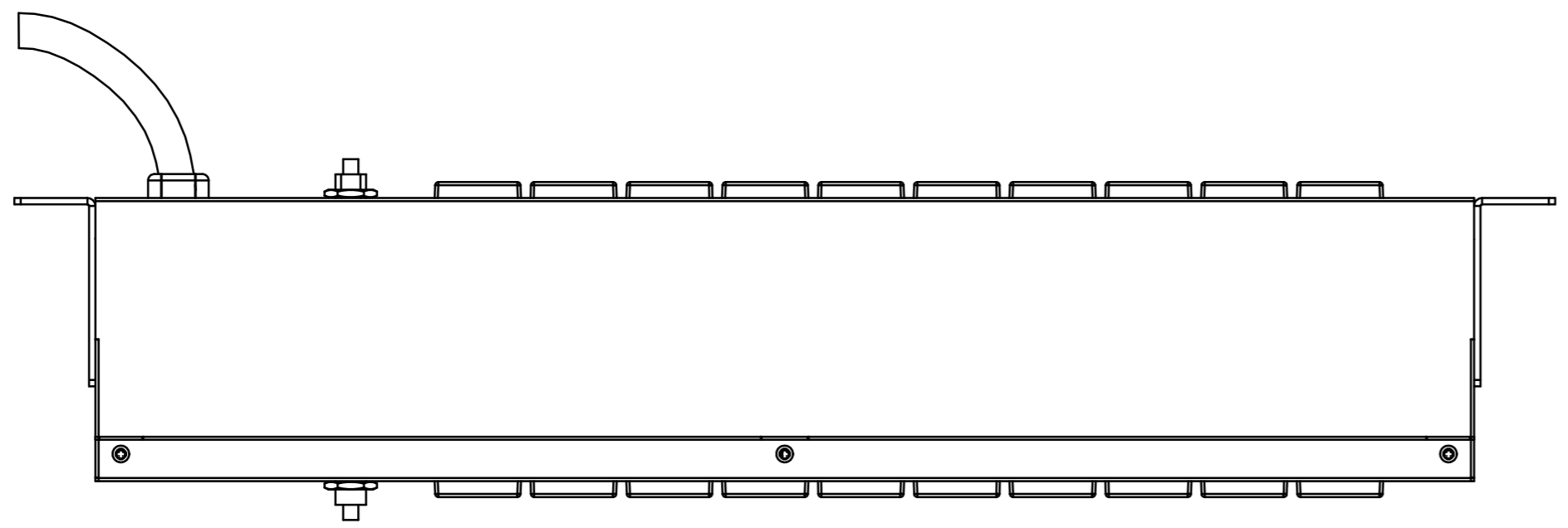
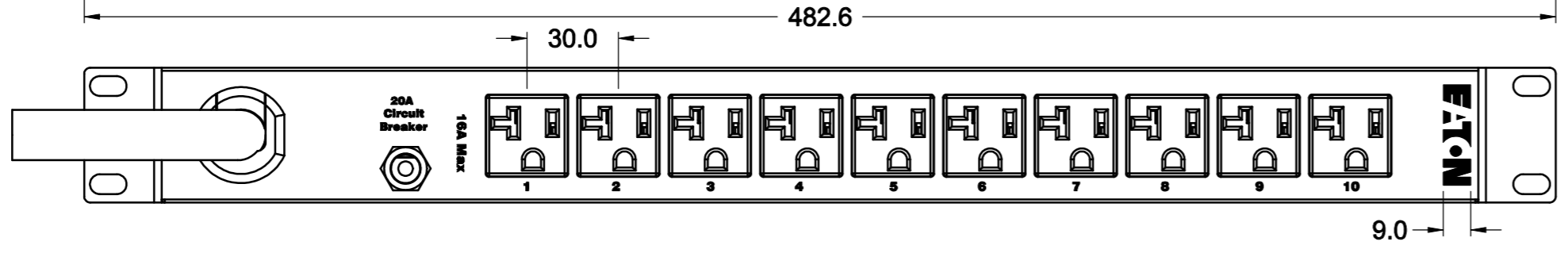
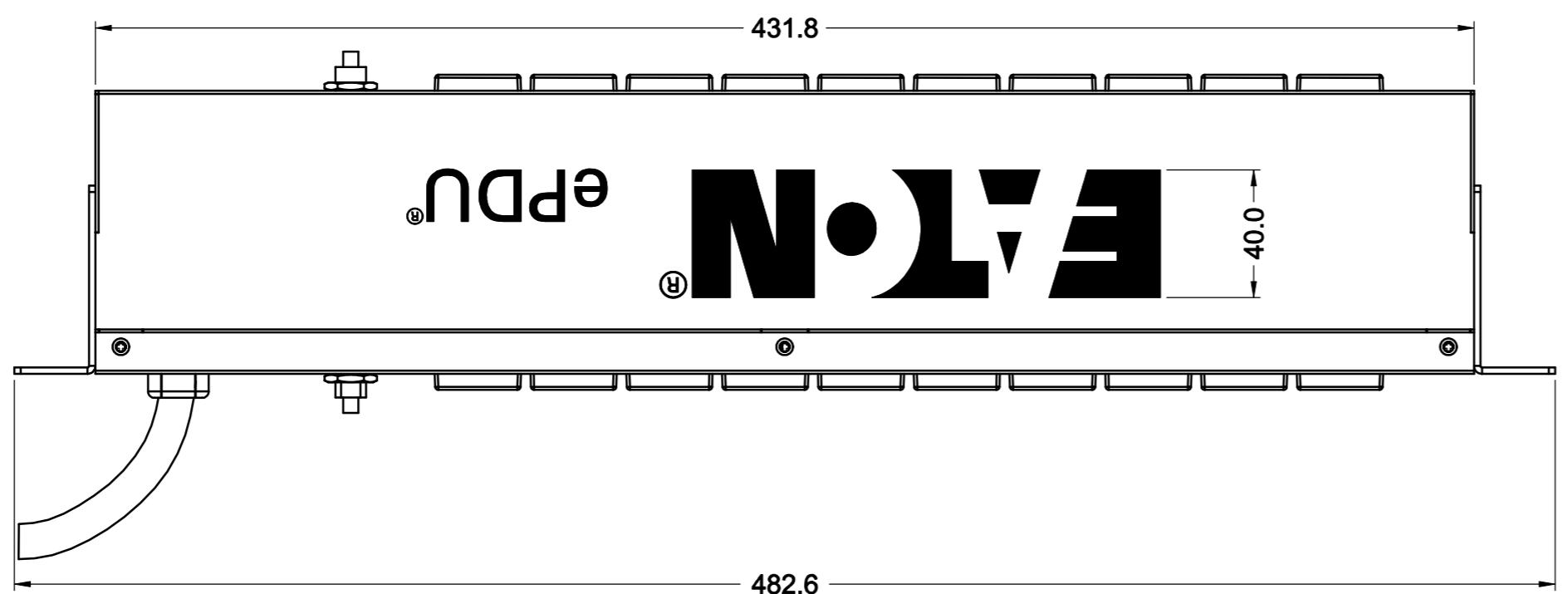
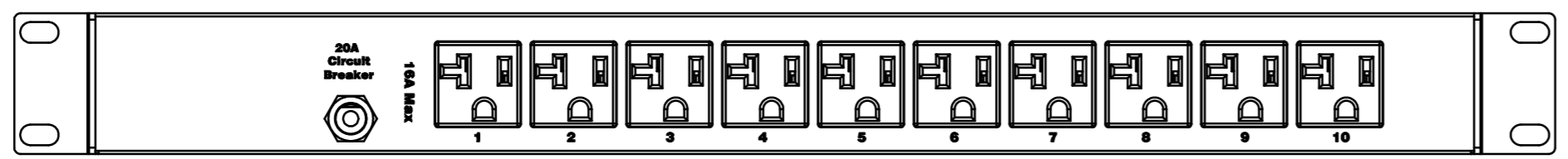


VER	DATE	UPDATE	APP'D
A	2011/05/23	release	
B	2011/06/28	remove "EATON ePDU" LOGO on bottom	

10

Part Number.....ePBZ78
 Mounting.....Horizontal (1U)
 Over Current Protection.....MP CB-1P/20A x 2 (UL489)
 Power Switch.....N/A
 Rating.....24A / 120 Vac
 Input.....NEMA L5-30P
 Outlet.....NEMA 5 - 20R x 20
 Power Cord.....10AWG / 3C, 15FT
 UL Standard.....UL60950-1
 Certification.....UL



NEMA L5-30P 30A/125V~

NOTE: all dimension for reference only.



Size:	A2	NAME	DATE	DIMENSION TOLERANCE	MATERIAL	
DRAWN	TYC	2011/05/23	X±0.3 mm	see Note		
CHECKED	TYC	2011/05/23	.X±0.1 mm			
APP'D	JSL	2011/05/23	.XX±.05 mm		SHEET	PART NO: R217-
SCALE:	1:2	VERSION: B	X'± 1°	1 OF 1	DRAW NO:	R217

EPBZ78-APR