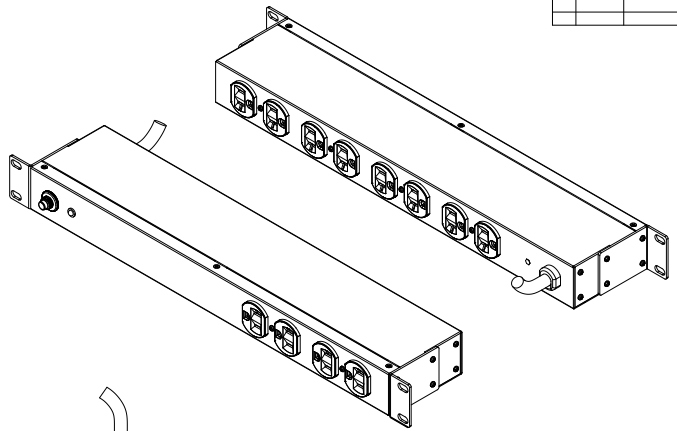
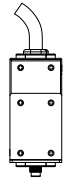
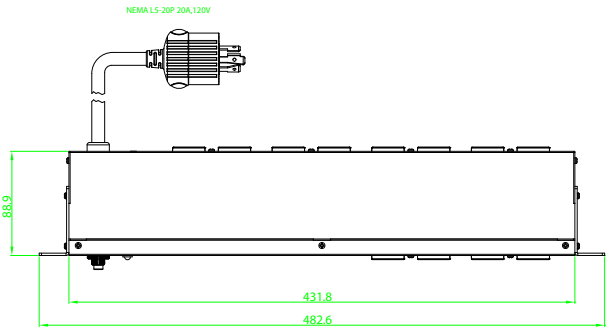


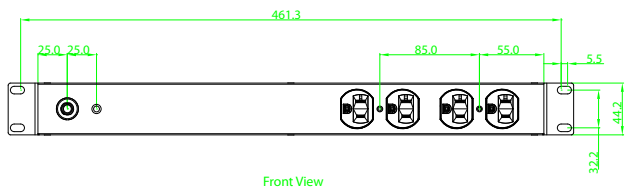
VER	DATE	UPDATE	APPD



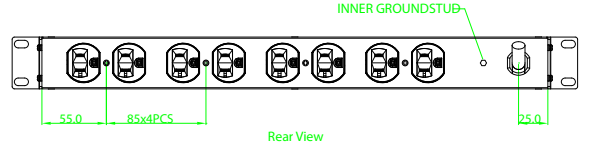
NEMA L5-20P 20A, 120V



Part Number.....ePBZ99
 Mounting.....Horizontal (1U)
 Over Current Protection.....CB/20A (UL1077)
 Power Switch.....N/A
 Rating.....16A / 120Vac
 Input.....NEMA L5-20P
 Outlet.....NEMA 5-20Rx16
 Power Cord.....12AWG X 3C 6ft
 UL Standard.....UL60950-1
 Certification.....UL / cUL



Front View



Rear View

DRAWN	NAME	DATE	DIMENSION TOLERANCE	MATERIAL	ePBZ99	
VNC	VNC	2009/10/20	±0.3	N/A	ASM-CA-R175-04	
TYC	TYC	2009/10/20	±0.1			
JSL	JSL	2009/10/20	±0.05	SHEET	PART NO:	M-0924
CF	CF		±0.2	OF	DRAW NO:	